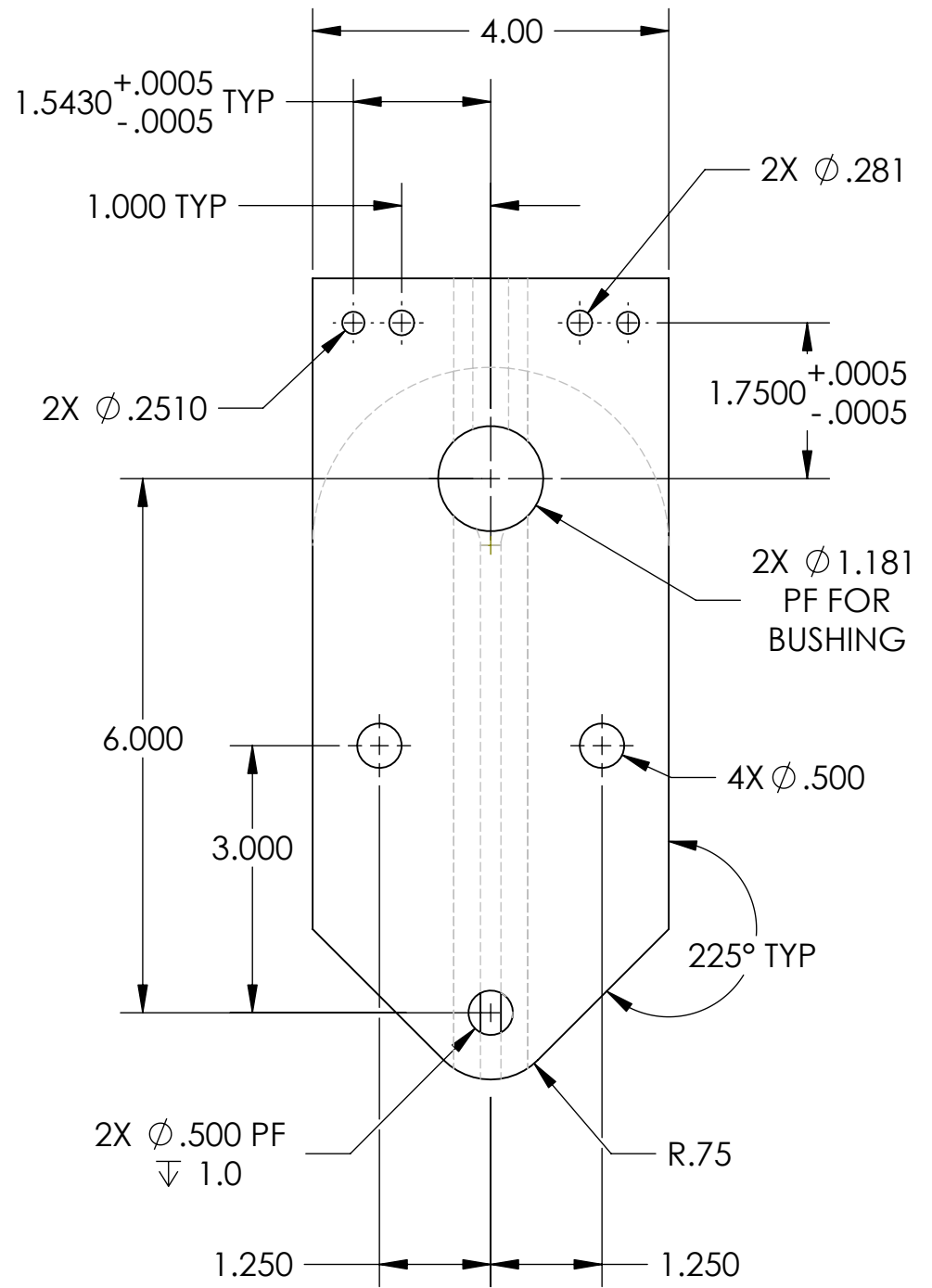


MATERIAL - ALUMINUM I-BEAM



HEADSTOCK 8/28/08