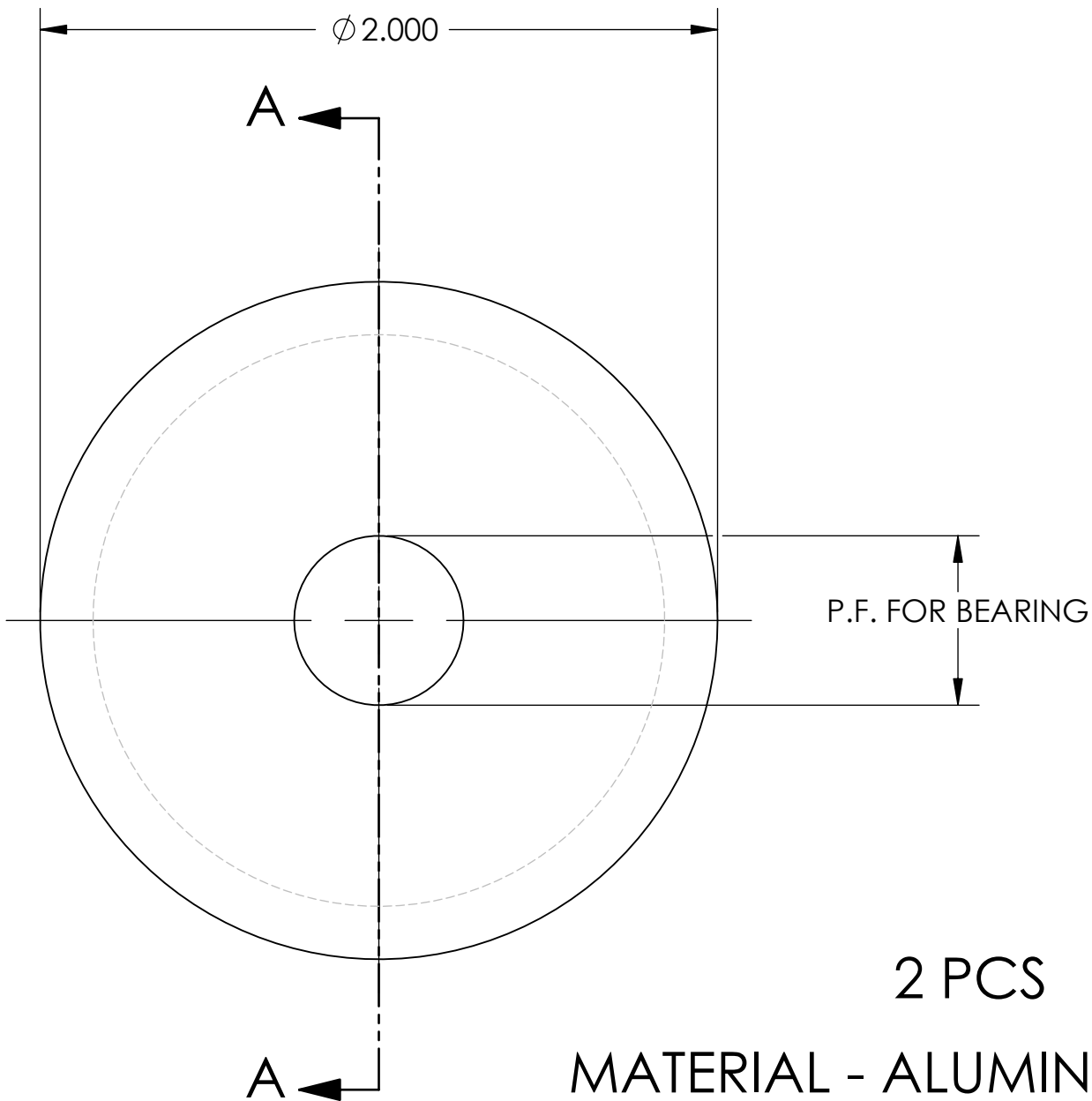


SECTION A-A
SCALE 2 : 1



2 PCS

MATERIAL - ALUMINUM

DRIVE IDLE PULLEY

8/28/08