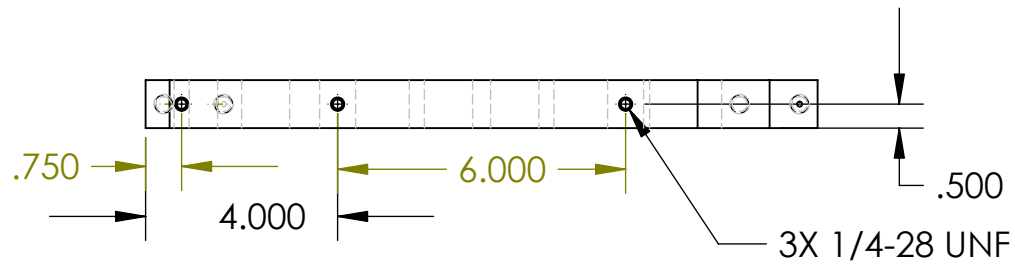
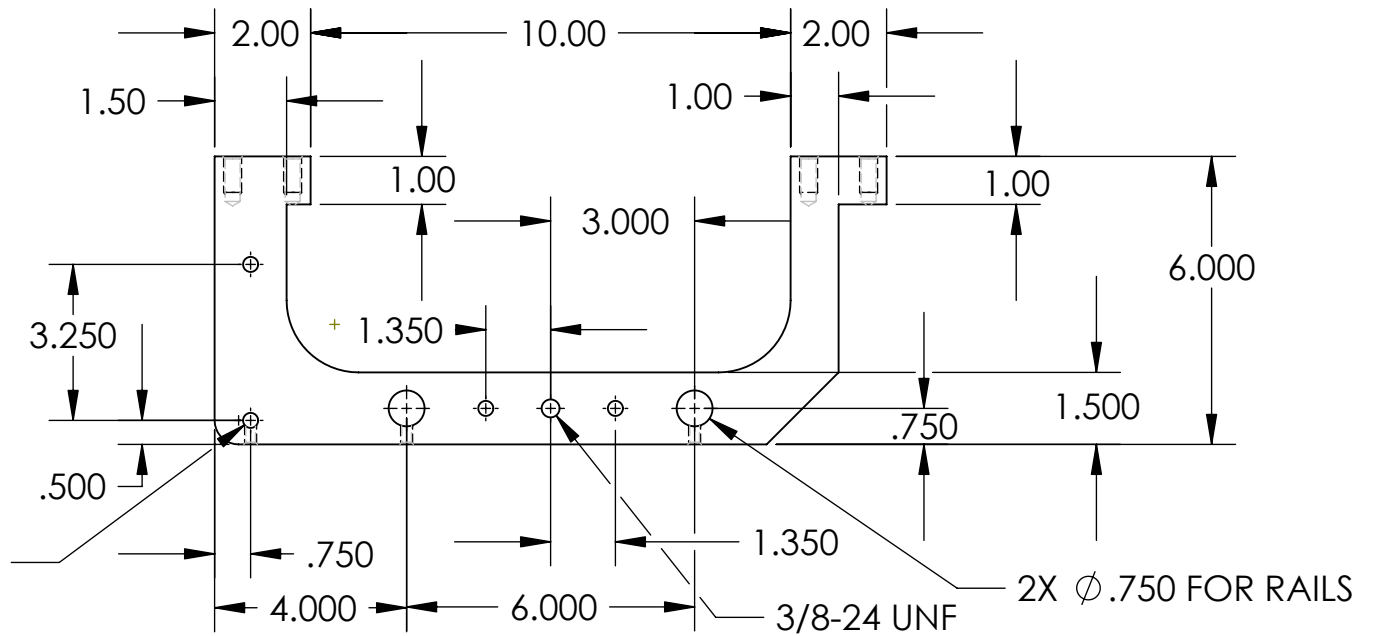


2X P.F. FOR BEARING SHAFT



MATERIAL-
ALUMINUM

RUBBER SUPPORT END

8/29/08